

PRISM

Prism Dual Access Sling Range



User Manual

PRISM MEDICAL UK

Prism Dual Access Sling

Application

The Dual Access Sling is designed to be used from a sitting position with either a patient lifting hoist or a Stand Aid. The sling gives access to remove and refit lower garments for toileting transfers whilst the client is supported by the sling. This sling can make toileting less time consuming than if performing the manoeuvre with a Universal Sling however the person must have the ability to maintain a 90 degree position between their femur and pelvic girdle.

Sling Inspection

All Prism slings are manufactured to meet and exceed the requirements of BS EN 10535:2006 'Hoists for the transfer of disabled persons – Requirements and test methods'. Slings should be inspected prior to use and after washing. Damaged or badly worn slings should be discarded.. The label on the sling contains vital information to identify the sling - if any part of the label becomes illegible, then it must be removed from service and replaced.

The sling should be visually inspected with regard to the following items:-

- Any signs of damage (i.e. Cuts, frays, tears, burns) to the sling straps
- Any signs of stitching becoming undone on any part of the sling
- Any signs of the fabric being stretched, tearing or undue wear
- Any signs of discolouring or bleaching on the material
- Is the sling complete? i.e. All straps present, stiffeners in place - where applicable, etc
- Label clearly legible

Compatibility

The issue of sling compatibility with various manufacturers ' hoists has been a concern for specifiers for a number of years, an issue that is compounded by the increased number of companies supplying hoists and slings.

Some hoist/sling manufacturers will state that only slings manufactured by them can be used on their hoists and vice versa. This is their policy only and is **NOT** a legal requirement. A risk assessment must still be completed even if the same manufacturer of hoist and sling are to be used, and the specifier simply has to state that the carry bar is of a similar design and that the sling manufacturer has authorised its use on it.

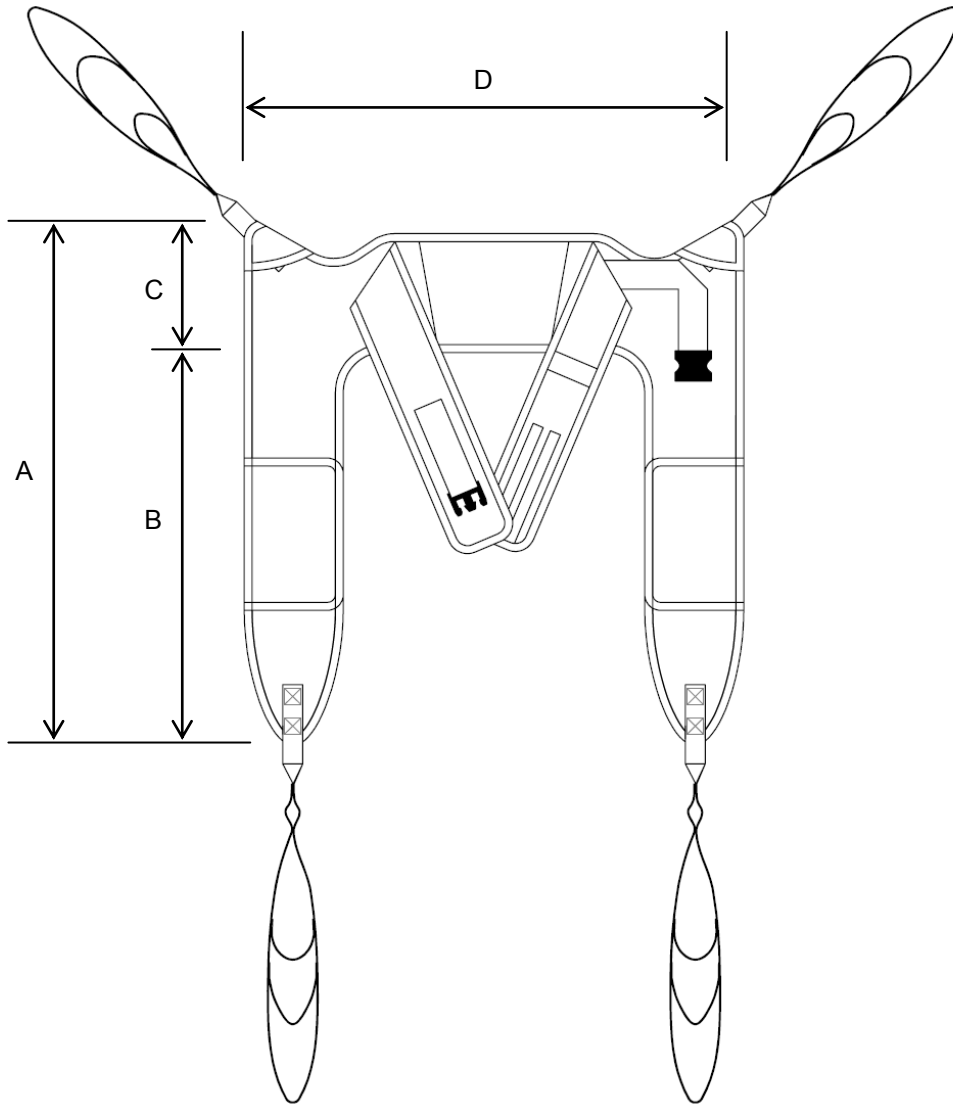
A comprehensive list is available separately and your local agent will be able to provide assistance with compatibility issues.

Maximum Load (Safe Working Load - SWL)

The maximum load for the sling is clearly marked on the label of the sling. The maximum load will also be displayed on the hoist and any detachable elements of the hoisting system.

DO NOT exceed the maximum load stated on any of the equipment.

Sling Dimensions



	A	B	C	D
Child	630	410	220	680
Junior	730	510	220	760
Small	800	580	220	860
Medium	940	720	220	970
Large	1070	780	270	1170
X Large	1170	900	270	1340

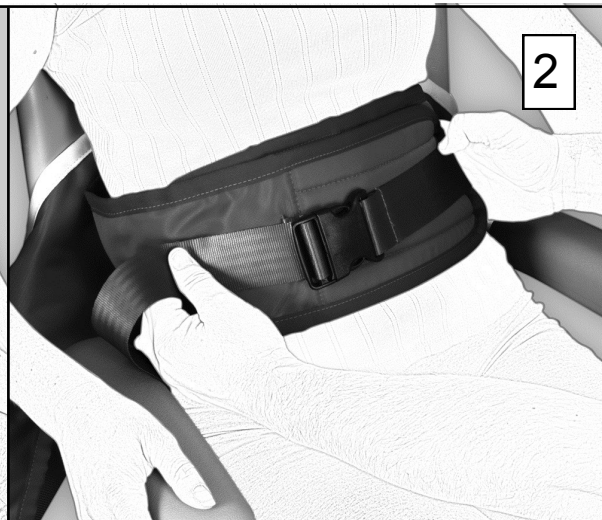
All dimensions have a tolerance of +/- 20mm

Hoisting from a chair

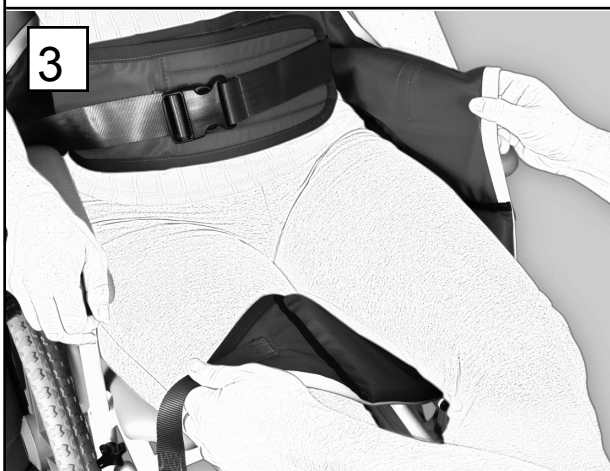
Note: The person to be transferred shall be referred to as “the person”.



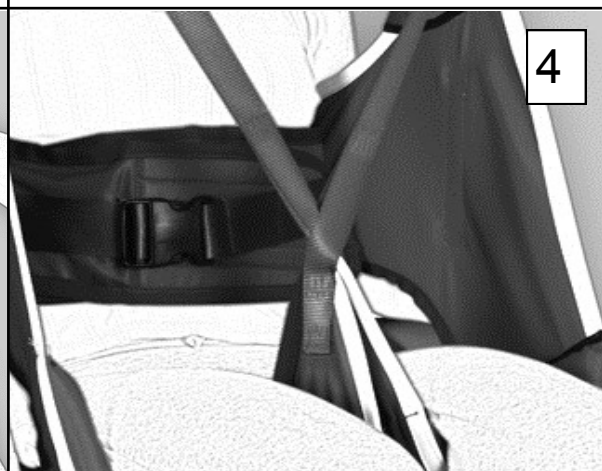
1
Place the sling down the back to a position just beneath the shoulder blades and above the belt line. If the sling can not be introduced from behind, apply the sling in a position level with the person.



2
Bring the two sections of the support strap around the person's trunk and fasten securely using the hook & loop and buckle fastening.
Note: the support strap is purely intended for the security of the person and is not weight bearing.



3
The leg sections must now be passed under the thighs using good manual handling techniques (this can sometimes be achieved by placing the person's foot onto your thigh). Ensure that as much leg section as possible is pulled under the leg and that all creases are eliminated to achieve maximum comfort.



4
Important - At the base of the leg section strap there is a loop. Bring the straps together by passing one strap through the loop. The fitting of the sling is now complete.
The four straps should now be attached to the carry bar hooks. Raise the carry bar just enough to tension the straps and **ensure that they are still securely attached.**

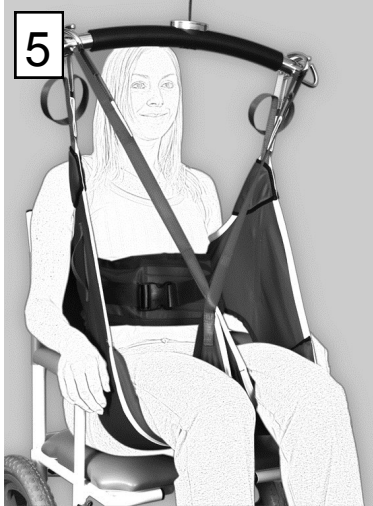
To remove the sling, carry out the fitting procedure in reverse.

Important - always peel the sling away from the person to avoid skin friction and movement.

Notes

- The above techniques are for guidance only and you must comply with your local policies
- If in doubt, consult your moving and handling advisor

Hoisting from a chair - Continued

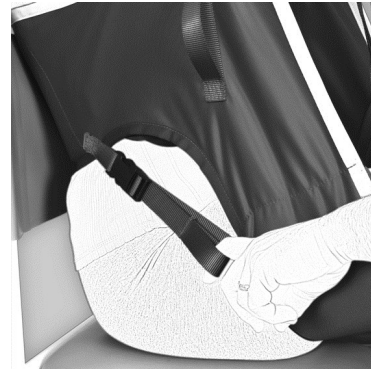


As the person is about to be lifted check the support strap for tension and comfort. Re-adjust when required .

Important - always re-assess for client's co-operation and capability when using this sling. To remove the sling, carry out the fitting procedure in reverse.

Important - always peel the sling away from the person - this avoids skin friction and movement.

Optional - Side Retention Strap



Follow procedures 1-3.

When using the optional hip retention strap, fasten the buckle and adjust tension to suit.

Follow procedures 4 & 5

Raise the carry bar just enough to tension the straps, make final adjustment to the hip retention strap and **ensure that the lifting straps are still securely attached.**

How to use with a Standaid

Follow procedures 1- 4

Place the person's feet onto the foot plate and adjust the kneepad (the knee pad should be positioned at the top of the shin avoiding the knee joint) the four straps should now be attached to the carry bar.

Raise the carry bar just enough to tension the straps and **ensure that they are still securely attached.**
The person can now be lifted as required.



To remove the sling, carry out the fitting procedure in reverse.

Important - always peel the sling away from the person to avoid skin friction and movement.

Notes

- The above techniques are for guidance only and you must comply with your local policies
- If in doubt, consult your moving and handling advisor

SLING CARE: LAUNDERING

GENERAL.

Sensitive laundering of lifting slings will extend the service life of the product. Conversely, improper laundering will reduce the service life and possibly affect the strength and integrity of the sling.

To be avoided:

- Use of bleach at washing, particularly hypochlorite [may cause structural damage]
- Overheating the sling [temperatures in excess of 100° may cause extreme shrinkage and structural damage]

Use of non-biological detergents is not recommended (especially Fairy Non - Bio): as these types of detergent contain bleaching agents that can degrade the strength of the sling.

The use of fabric conditioners is not recommended.

Any hook & loop fastenings should be closed prior to laundering to avoid the 'hook' side damaging the sling or other items laundered with it.

GENERAL SOILING.

The sling should be laundered with soap or detergent at 50°C on a standard domestic cycle.

DISINFECTION.

The sling should be laundered to ensure a 'period at temperature' of:

- 10 minutes at 65°C
- 3 minutes at 72°C

Following NHS guidelines, extra time should be added to ensure thorough mixing of hot water through the wash load.

It may be that available equipment does not allow the required level of temperature control. The sling may be washed on a 90°C wash cycle, though it is likely that some moderate shrinkage and/or colour bleed will occur.

DRYING.

Slings will air dry quite quickly in a warm room.

Slings should not be placed over radiators or convectors.

Slings may be **CAREFULLY** tumble dried on a cool [60°C] setting and short cycle.

The sling should be checked at intervals not exceeding 5 minutes.

Do not allow the sling to overheat.

The sling should last in excess of 5 years if the above guidelines are adhered to. All Prism Slings have a manufacturers guarantee of 12 months.

DECLARATION OF CONFORMITY

Manufacturers Name: Prism Medical UK Ltd

MHRA Registration No: CA 013248

Manufacturers Address: Unit 4 Jubilee Business Park, Jubilee Way,
Grange Moor, Wakefield,
WF4 4TD, UK
Tel +44 (0) 844 980 2260

Declares that the manufactured product:-

Product Name: Prism Dual Access Sling

Product Options : Child, Junior, Small, Medium, Large, XL Large.

Conforms to the following European Union Council Directives:-

Directive 93/42/EEC and all amendments up to Directive 2007/47/EC

Classification Class 1, Low Risk Medical Device

Tested in accordance with BS EN ISO 10535:2006 & IEC 60601 3rd Edition

Supplementary Information:

The undersigned declares the product herewith complies with the requirements set out above and carries the CE mark accordingly.

The Technical Construction File required by this directive is maintained by the manufacturer as detailed above.

Signed:



Date:

14th November 2014

Craig Wright, Manufacturing Director

Care Plan Information

All slings in the Prism Range have space on the labels to record the clients name. Each sling has unique individually colour coded lifting loops which helps maintain good lifting practice. The loop options facilitate variable positions from sitting to recline.

Date of Assessment :		FIM Score:	
Clients Name:			
Approx Weight:		D.O.B:	
Type of Sling:		Size:	
	Sling Straps Coloured loop Options		
Head Support (Option):	Adjust slider to suit the persons head position		
Shoulder Loop:	White <input type="checkbox"/>	Orange <input type="checkbox"/>	Blue <input type="checkbox"/>
			Other <input type="checkbox"/>
Leg loop:	Yellow <input type="checkbox"/>	Green <input type="checkbox"/>	Brown <input type="checkbox"/>
			Other <input type="checkbox"/>
Comments			

If you have any questions regarding the use of this equipment, please contact Prism Medical UK, or your local authorised dealer.



PRISM MEDICAL UK



Prism Medical UK, Unit 4, Jubilee Business Park,
Jubilee Way, Grange Moor, Wakefield, WF4 4TD

Tel +44 (0) 844 980 2260

www.prismmedical.co.uk

info@prismmedical.co.uk

This document conforms to BS EN ISO 10535:2006 Requirements

