

FREEWAY

easi-change



Showering and Changing Solutions

PRISM MEDICAL UK

Superior solutions. Exceptional service.



The Freeway Easi-Change Range

FREEWAY
easi-change

Prism Medical UK manufactures practical and economical solutions for changing and showering. When adults or children are unable to change or wash independently, more supportive equipment is often required. Designed to be comfortable and hygienic for the user and easy to use for the carer, you will find a Freeway Easi-Change wall mounted showering or changing solution to meet your needs.

Easi to Use

Prism Medical UK designs and manufactures well-made, easy to use products that stand the test of time. Through close consultation with therapists and users, the practical, no-fuss range of Freeway Easi-Change products have evolved, giving confidence to both the specifier and the user.

Two Year Warranty

All Freeway Easi-Change products come with a Manufacturer's two year warranty.

www.prismmedical.co.uk
0844 980 2296

Contents

The Freeway Easi-Shower Range

- 4-5 Freeway Fixed Height Shower Stretcher
- 6-7 Freeway Adjustable Height Shower Stretcher

The Freeway Easi-Lift Range

- 8-9 Freeway Easi-Lift Electric Shower Stretcher
- 10-11 Freeway Easi-Lift Changing Bench

The Freeway Hi-Riser Range

- 12-13 Freeway Hi-Riser Changing Table
- 14-15 Freeway Hi-Riser Shower Stretcher
- 16 Accessories

Product	Changing	Showering	Travel Range	Length	Width	User Weight
The Freeway Easi-Lift Range						
Freeway Easi-Lift Changing Bench	✓		450mm - 950mm	1200mm - 1700mm	550mm - 650mm	150kg
Freeway Easi-Lift Electric Shower Stretcher	✓	✓	450mm - 950mm*	1400mm, 1700mm & 1900mm	650mm	200kg
The Freeway Easi-Shower Range						
Freeway Fixed Height Shower Stretcher	✓	✓	Fixed	1400mm, 1700mm & 1900mm	650mm	200kg
Freeway Adjustable Height Shower Stretcher	✓	✓	450mm - 800mm*	1400mm, 1700mm & 1900mm	650mm	200kg
The Freeway Hi-Riser Range						
Freeway Hi-Riser Powder Coated	✓		400mm - 1000mm	1200mm - 1800mm	550mm - 650mm	200kg
Freeway Hi-Riser Stainless Steel	✓	✓	400mm - 1000mm	1200mm - 1800mm	550mm - 650mm	200kg
Freeway Hi-Riser Shower Stretcher	✓	✓	390mm - 960mm	1400mm & 1800mm	650mm	150kg

* dependant on installed height



Freeway Fixed Height Shower Stretcher

FREEWAY
easi-change

Economical solution

The Freeway Fixed Height Shower Stretcher is an economical washing and showering solution for the user. This durable and slimline product represents real value for money.

Added headrest

The Freeway Fixed Height Shower Stretcher, along with all of our shower stretchers, can be enhanced with the optional integral vinyl headrest. The headrest features a paddle lift adjustment, which allows it to be locked securely into the desired position.

Makes bathing easier

The Freeway Fixed Height Shower Stretcher is designed to allow the washing or showering of the user whilst in a horizontal position. It can be fixed directly above a bath making it the perfect solution for the home.

Plenty of choice

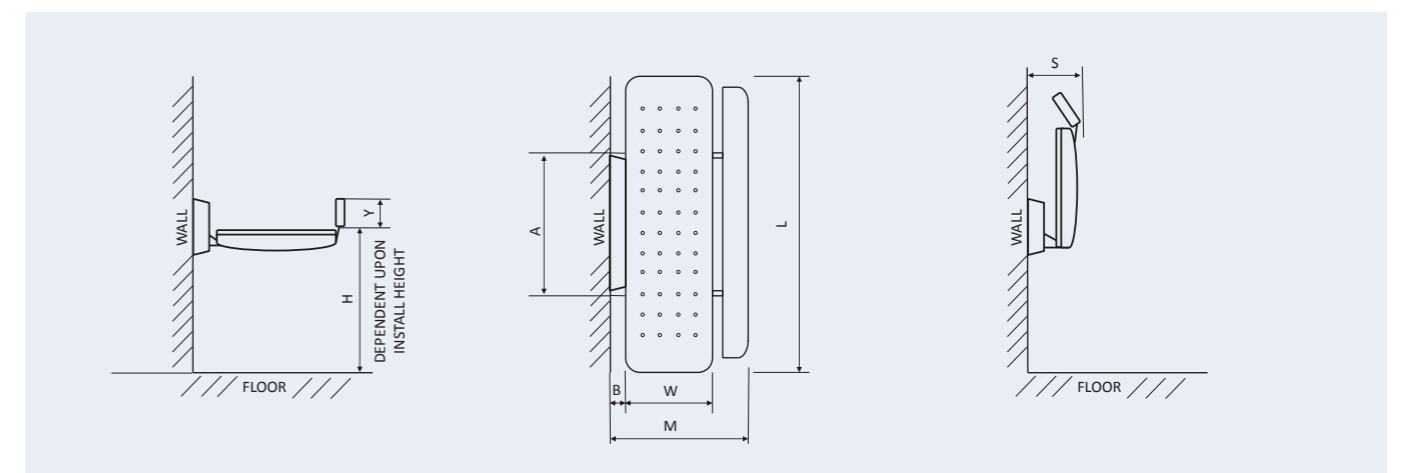
The Freeway Fixed Height Shower Stretcher comes in three different sizes. The stretcher is available in a length of 1400mm, 1700mm or 1900mm, which enables it to fit both the size of the room and the height of the user.

Key features

- Economical solution
- No floor fixing required
- Ideal for a wet room environment
- Stainless steel frame with powder coated finish
- Permanently fixed at the desired height
- Available in three sizes
- Length of stretchers available; 1400mm, 1700mm & 1900mm
- Weight capacity of 200kg
- Folds away to save on space
- Wipe clean surfaces
- Optional integral vinyl headrest on any sizes with paddle lift adjustment
- Optional 1400mm safety guard

Stainless Steel Powder Coated		Size	User Weight kg	Table Dimensions			Travel Range H mm	Wall Frame Width A mm	Wall Frame Depth B mm	Safety Guard Height Y mm	Stored Width S mm	Shipping Weight kg
Without Headrest	With Headrest			L mm	W mm	M mm						
3171	3271	1	200	1400	650	1000	Fixed	665	80	145*	240	75
3174	3274	4	200	1700	650	1000	Fixed	665	80	145*	240	78
3176	3276	6	200	1900	650	1000	Fixed	665	80	145*	240	80

*safety guard is optional accessory





Freeway Adjustable Height Shower Stretcher

FREEWAY
easi-change

Wall mounted

The Freeway Adjustable Height Shower Stretcher is wall mounted and does not require fixing to the floor. Its stainless steel frame and vinyl cover makes it perfect for any room environment.

Added safety

The safety guard is an optional accessory, available for all of our shower stretcher products, designed to give carers peace of mind whilst showering the user. The safety guard locks securely in to position and provides extra support whilst the user is on the stretcher.

Space saver

The Freeway Adjustable Height Shower Stretcher is ideal for rooms that have limited space. The fold-away functionality of the stretcher allows it to be stored away when it is not being used, allowing maximum use of room space.

Height adjustable

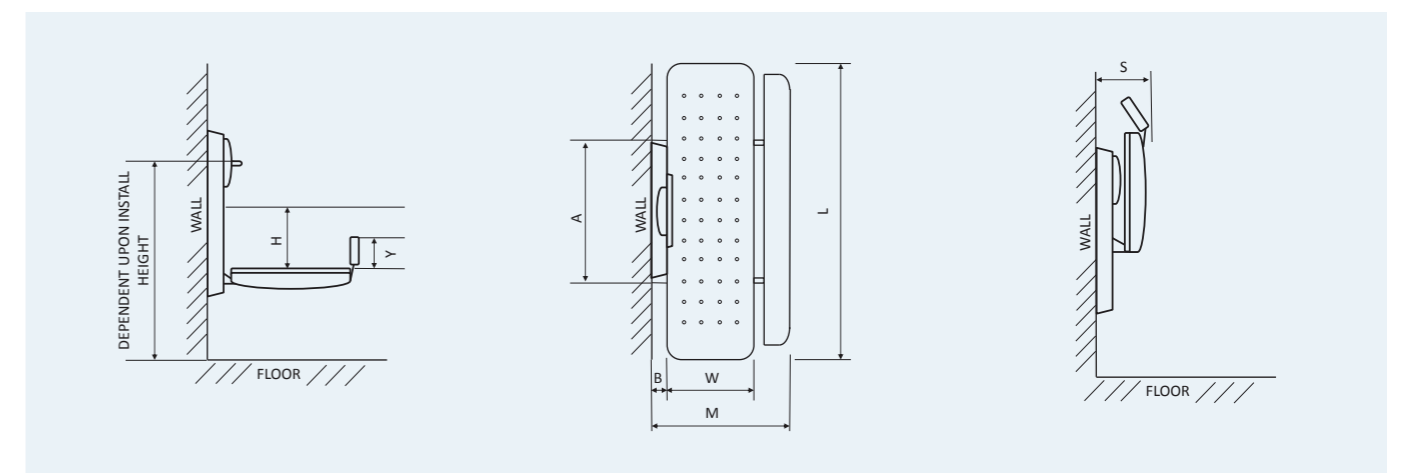
The Freeway Adjustable Height Shower Stretcher allows you to manually set the height of the stretcher to the desired position, simply by turning the handle clockwise to lower and anti-clockwise to elevate.

Key features

- Height range is manually operated
- No floor fixing required
- Ideal for dry or wet room
- Stainless steel frame with powder coated finish
- Available in three sizes
- Length of stretchers available; 1400mm, 1700mm & 1900mm
- Weight capacity of 200kg
- Travel range of 350mm
- Folds away to save on space
- Wipe clean surfaces
- Optional integral vinyl headrest on any sizes with paddle lift adjustment
- Optional 1400mm safety guard

Stainless Steel Powder Coated		Size	User Weight kg	Table Dimensions			Travel Range H mm	Wall Frame Width A mm	Wall Frame Depth B mm	Safety Guard Height Y mm	Stored Width S mm	Shipping Weight kg
Without Headrest	With Headrest			L mm	W mm	M mm						
3181	3281	1	200	1400	650	1000	450 - 800*	665	80	145**	240	80
3184	3284	4	200	1700	650	1000	450 - 800*	665	80	145**	240	83
3186	3286	6	200	1900	650	1000	450 - 800*	665	80	145**	240	85

*depending on installed height **safety guard is optional accessory





Product is shown with the headrest accessory, please see page 16

Freeway Easi-Lift Electric Shower Stretcher

FREEWAY
easi-change

Easi adjustment

The Freeway Easi-Lift Electric Shower Stretcher has been designed to help you move the user up and down with ease whilst they are on the stretcher. It is electronically operated with a height range of 500mm, which allows a safe and suitable working height to prevent the risk of back injury to the carer.

Easi fold away

All Freeway Easi-Lift Shower Stretchers are fitted with assisted lifting action, which reduces the amount of effort required to fold away the stretcher.

Contemporary design

The unobtrusive and neutral design of the Freeway Easi-Lift Electric Shower allows it to fit into a wide range of environments. The need for floor fixings has been eliminated making it the perfect choice for areas where the floor type, surface pipe work or cabling prevent floor installation.

Easi storage

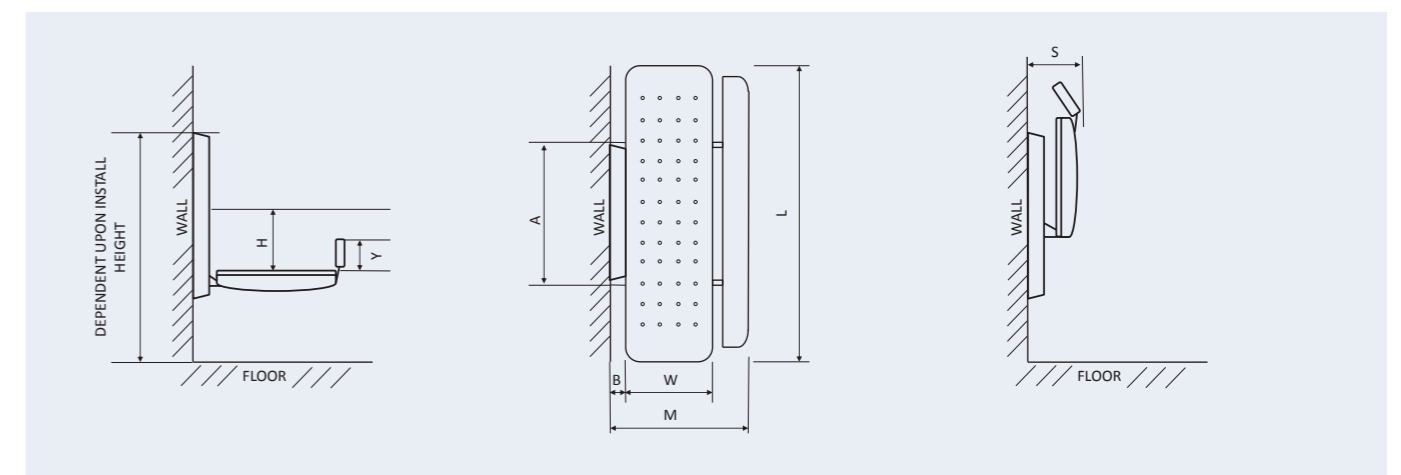
The compact design coupled with the ability to fold the stretcher away when it is not in use makes this the ideal product for times when space is limited.

Key features

- Electrically operated
- No floor fixing required
- Ideal for a wet room environment
- Stainless steel frame with powder coated finish
- Available in three sizes
- Length of stretchers available; 1400mm, 1700mm & 1900mm
- Weight capacity of 200kg
- Travel range of 500mm
- Folds away to save on space
- Easy to clean surfaces
- Optional integral vinyl headrest
- Optional 1400mm safety guard

Stainless Steel Powder Coated		Size	User Weight kg	Table Dimensions			Travel Range H mm	Wall Frame Width A mm	Wall Frame Depth B mm	Safety Guard Height Y mm	Stored Width S mm
Without Headrest	With Headrest			L mm	W mm	M mm					
3191	3291	1	200	1400	650	1000	450 - 950*	750	110	145**	270
3194	3294	4	200	1700	650	1000	450 - 950*	750	110	145**	270
3196	3296	6	200	1900	650	1000	450 - 950*	750	110	145**	270

*dependant on installed height **safety guard is optional accessory





Freeway Easi-Lift Changing Bench

FREEWAY
easi-change

No floor fixing

Most height-adjustable changing tables require fitting to both the wall and floor. The Freeway Easi-Lift Changing Bench has been designed to require wall fixing only. This is particularly beneficial where the type of floor, surface pipe work or cabling prevent floor installation.

Space saving design

The Freeway Easi-Lift Changing Bench is a compact, electrically operated wall-mounted changing bench designed to fit in a dry room where space is at a minimum.

Prevents back injury

The Freeway Easi-Lift Changing Bench has a travel range of 500mm to meet varying needs and the bench can easily be set to a safe and suitable working height to help prevent the risk of back injury to the carer.

Stowaway side rail

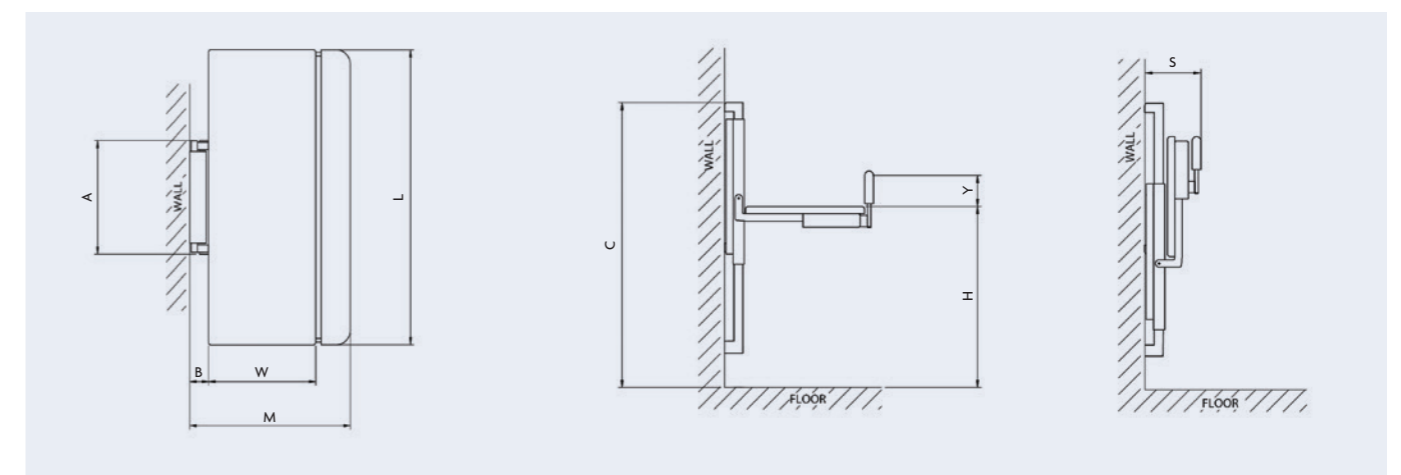
The Freeway Easi-Lift Changing Bench features a unique safety side rail that can be easily stowed away beneath the table. This allows maximum clearance for safe and easy transfer.

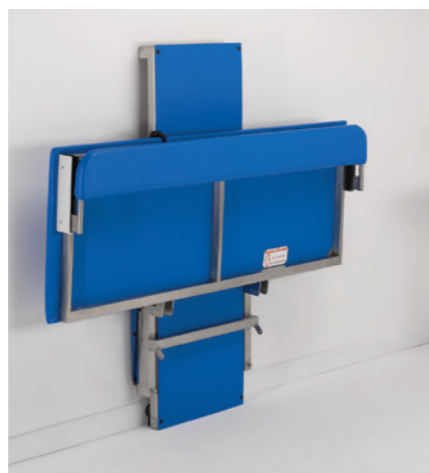
Key features

- Electrically operated
- No floor fixing required
- Ideal for a dry room environment
- Available in six sizes
- Length of table available in 100mm increments from 1200mm – 1700mm
- Weight capacity of 150kg
- Travel range of 500mm
- Folds away to save on space
- Protrudes 305mm from the wall when stored
- Easy to clean padded surfaces

Mild Steel Powder Coated	Size	User Weight kg	Table Dimensions			Travel Range H mm	Wall Frame	Wall Frame	Wall Frame	Safety Side Height Y mm	Stored Width S mm
			L mm	W mm	M mm		Width A mm	Depth B mm	Height C mm		
3081	1	150	1200	550	875	450 - 950*	700	110	1320	165	305
3082	2	150	1300	550	875	450 - 950*	700	110	1320	165	305
3083	3	150	1400	600	925	450 - 950*	700	110	1320	165	305
3084	4	150	1500	600	925	450 - 950*	700	110	1320	165	305
3085	5	150	1600	650	975	450 - 950*	700	110	1320	165	305
3086	6	150	1700	650	975	450 - 950*	700	110	1320	165	305

* dependant on installed height





Freeway Hi-Riser Changing Table

FREEWAY
easi-change

Robust yet slimline

The Freeway Hi-Riser Changing Table is an electrically operated wall-mounted changing table that is suitable for children and adults of up to 200kg. Despite its robust structure, the Freeway Hi-Riser Changing Table has a slimline design that ensures it fits easily into most environments.

Sizes to suit

We understand that every need is different, which is why the Freeway Hi-Riser Changing Table comes in seven different sizes that cater from young children through to adults.

Easi transfer

The Freeway Hi-Riser Changing Table has been designed so that it can be used with most mobile or ceiling hoists. The unique safety side rail stows away, streamlining access for transfers from a wheelchair, shower and toileting chair. The Freeway Hi-Riser Changing Table also benefits from an impressive travel range of 600mm.

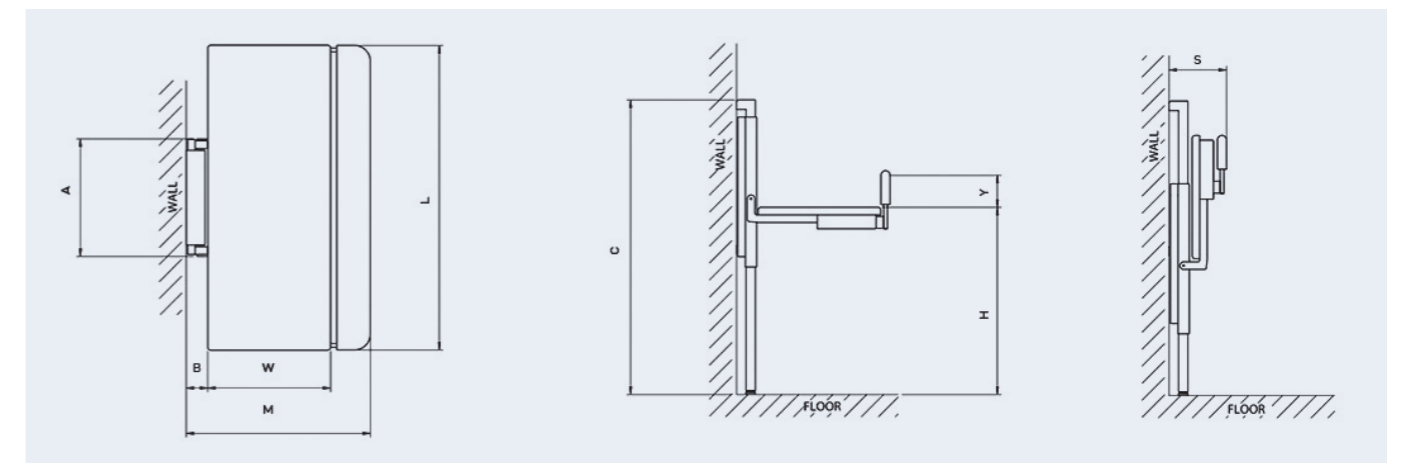
Options

The Freeway Hi-Riser Changing Table comes in a cream powder coated frame for dry-rooms or stainless steel frame for wet-rooms.

Key features

- Electrically operated
- Wall and floor mounted
- Cream powder coated frame for dry rooms
- Stainless steel for wet rooms
- Available in seven sizes
- Length of table available in 100mm increments from 1200mm – 1800mm
- Weight capacity of 200kg
- Impressive height range of 600mm
- Folds away to save on space
- Easy to clean padded surfaces
- Wall mounting kit included
- Stowaway side rail

Mild Steel Powder Coated	Stainless Steel	Size	User Weight kg	Table Dimensions			Travel Range H mm	Wall Frame Width A mm	Wall Frame Depth B mm	Wall Frame Height C mm	Safety Side Height Y mm	Stored Width S mm	Shipping Weight kg
				L mm	W mm	M mm							
3041	3051	1	200	1200	550	875	400-1000	700	110	1550	165	305	80
3042	3052	2	200	1300	550	875	400-1000	700	110	1550	165	305	82
3043	3053	3	200	1400	600	925	400-1000	700	110	1550	165	305	84
3044	3054	4	200	1500	600	925	400-1000	700	110	1550	165	305	86
3045	3055	5	200	1600	650	975	400-1000	700	110	1550	165	305	88
3046	3056	6	200	1700	650	975	400-1000	700	110	1550	165	305	90
3047	3057	7	200	1800	650	975	400-1000	700	110	1550	165	305	92





Freeway Hi-Riser Shower Stretcher

FREEWAY
easi-change

Two-in-one

The Freeway Hi-Riser Shower Stretcher is an easy to use two-in-one wall and floor mounted showering and changing table. Its robust yet slimline design makes it suitable for children and adults of up to 150kg. Its versatility means it offers the ideal solution for swimming, hydrotherapy and bathroom environments.

Comfortable & hygienic

The Freeway Hi-Riser Shower Stretcher has been designed with reinforced PVC, making it highly supportive yet soft and comfortable to lie on. Its stainless steel frame facilitates easy cleaning, making it a perfect choice for multi-user environments.

Quick drainage

The Freeway Hi-Riser Shower Stretcher is supplied with flexible pipe work to use with a suitable floor drain or, alternatively, it can be plumbed in. Water can easily be drained away using the drainage pipe, which can also be detached for cleaning purposes.

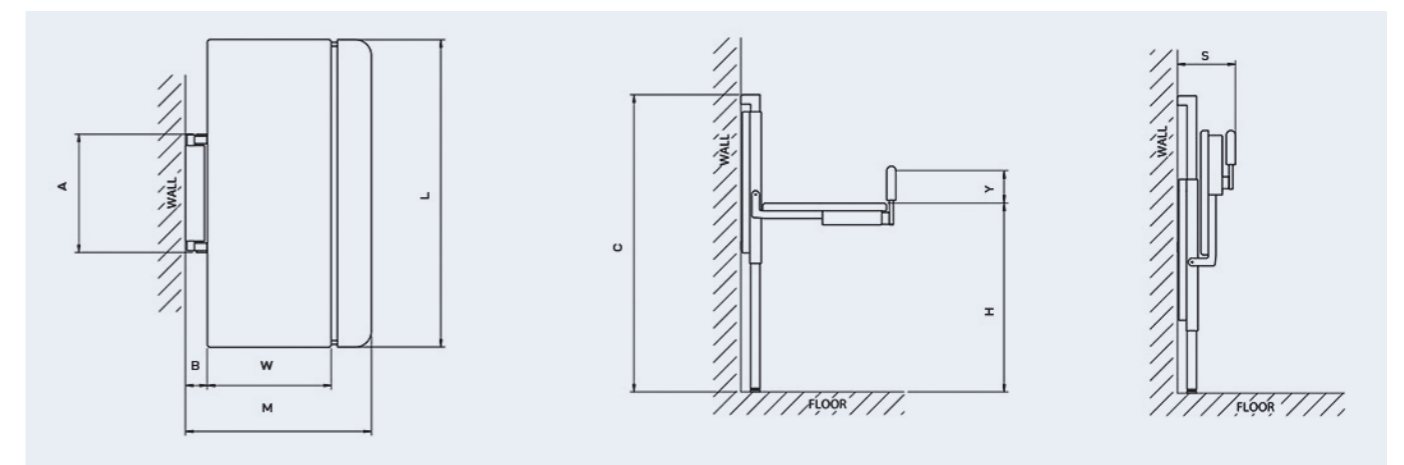
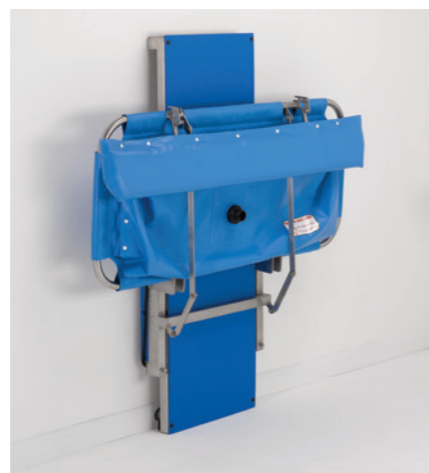
Options

The Freeway Hi-Riser Shower Stretcher is available in two sizes and comes complete with a padded safety rail.

Key features

- Electrically operated – handset works safely in wet rooms
- Changing and showering in one
- Drainage pipe and fasteners included
- Wall and floor mounted
- Stainless steel construction
- Available in two sizes
- Length of table available in either 1400mm or 1800mm
- Weight capacity of 150kg
- Travel range of 570mm
- Easy to clean padded surfaces
- Unique stowaway side rail
- Folds away to save on space
- Protrudes 300mm from the wall when stored
- Optional padded mattress as an accessory

Stainless Steel	Size	User Weight kg	Table Dimensions			Travel Range H mm	Wall Frame Width	Wall Frame Depth	Wall Frame Height	Safety Side Height Y mm	Stored Width S mm	Shipping Weight kg
			L mm	W mm	M mm		A mm	B mm	C mm			
3063	1	150	1400	650	1110	390 - 960	700	110	1550	165	300	80
3067	2	150	1800	650	1110	390 - 960	700	110	1550	165	300	85



FREEWAY

easi-change

Accessories



Headrest

The Freeway Easi-Lift Shower Stretcher, Fixed Height and Adjustable Height Shower Stretches can all be enhanced with the optional integral vinyl headrest.

The headrest must be ordered at the same time the stretcher is ordered and cannot be fitted retrospectively. Our frames have been designed with the ability to have the headrest at each end of the stretcher (please specify which end, at point of order).

The headrest features a paddle lift adjustment, which allows it to be locked securely in the desired position.

FULL TWO YEAR WARRANTY

For peace of mind, all Freeway Easi-Change products come with a two year Manufacturer's warranty as standard. Excludes batteries.

Prism Medical Registered Office

Tel: +44 (0) 844 980 2260
 Fax: +44 (0) 844 980 2261
 Email: info@prismmedical.co.uk
 Unit 4, Jubilee Business Park, Jubilee Way,
 Grange Moor, Wakefield, West Yorkshire,
 WF4 4TD

Distributor Contact Details:

Colour range

Prism Medical UK is dedicated to finding solutions for adults and children that can not change or shower independently.

Our dedicated design team collaborate with therapists to create and design products that provide effective solutions.

Freeway Easi-Change products are available in varying sizes and colours, this is to ensure that our products meet the requirements of the environment, user and carer.



Safety Guard

Enhance the safety of The Freeway Easi-Lift Shower Stretcher, Fixed Height and Adjustable Height Shower Stretches, with the safety guard accessory.

The safety guard must be ordered at the same time the stretcher is ordered and cannot be fitted retrospectively.

The safety guard locks securely into position and provides extra support whilst the user is on the stretcher.

Please note that the safety guard does not stow away. The safety guard is one size in length (1400mm).



Freeway Easi-Lift Changing Bench
 Freeway Hi-Riser

○ Freeway Fixed Height Shower Stretcher
 ○ Freeway Adjustable Height Shower Stretcher
 ○ Freeway Easi-Lift Shower Stretcher
 White

● Freeway Hi-Riser Shower Stretcher
 Blue



PRISM MEDICAL UK

